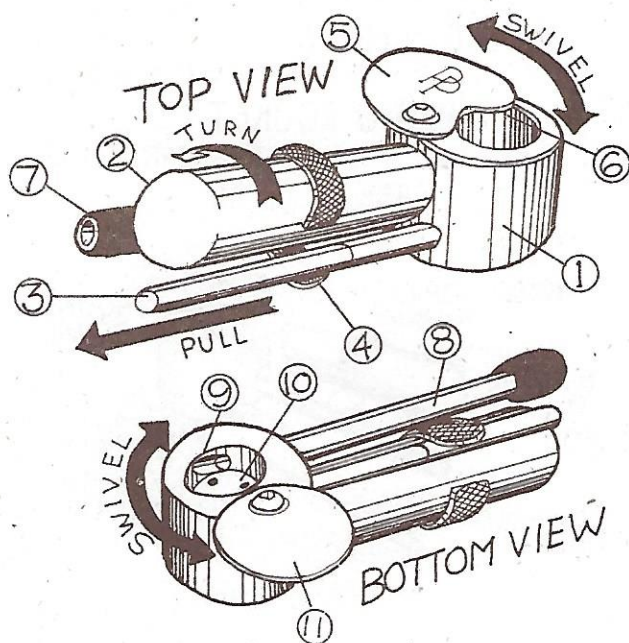


PROTO ROCKET™ FEATURES

- ① SOLID BRASS BOWL
 - ② STORAGE POD
 - ③ STIR & CLEANING POKER
 - ④ LOCK COLLAR
 - ⑤ BOWL TOP CLIP™ (PATENT PENDING)
 - ⑥ DEEP BURN ZONE
 - ⑦ MOUTH PIECE
 - ⑧ PIPE STEM
 - ⑨ TAR CHAMBER
 - ⑩ PERMANENT SCREEN
 - ⑪ TARBURATOR™ FLIP
- MADE IN USA!



OPERATION

KEEP PARTS ASSEMBLED FOR PROPER DRAW.

USE POKER TO CLEAN PERMANENT SCREEN.
TO CLEAN PIPE STEM, PUSH TISSUE WAD
THROUGH WITH BLUNT END OF POKER.

WIPE OUT TAR CHAMBER WITH A TISSUE.

FOR SMOOTHEST OPERATION, KEEP SWIVEL
COVERS CLEAN OF TAR BUILD UP & LUBRICATE
WITH OLIVE OIL.

FOR A SUPER CLEAN PIPE OCCASIONALLY CLEAN
WITH ALCOHOL & PIPE CLEANERS.